

Product Specifications



赣工机械设备科技(东莞)有限公司
TEL: 15920631511

PART NUMBER: STD122
REVISION: L

Model Number	MAX. PRESS.		MAX. SPEED	HP	kW	Net Wt.	
	bar.	PSI				lbs.	kg
4AM-NRV-22A	7.0	100	3,000 RPM	1.7	1.25	7	3.2
4AM-NRV-22B	7.0	100	3,000 RPM	1.7	1.25	7	3.2
4AM-NRV-22F	7.0	100	3,000 RPM	1.7	1.25	7	3.2
* 4AM-NRV-22G	7.0	100	3,000 RPM	1.7	1.25	7	3.2
4AM-NRV-54A	7.0	100	3,000 RPM	1.7	1.25	7	3.2
* 4AM-NRV-132	7.0	100	3,000 RPM	1.7	1.25	7	3.2
4AM-NRV-22H	7.0	100	3,000 RPM	1.7	1.25	7	3.2
4AM-NRV-165	7.0	100	3,000 RPM	1.7	1.25	7	3.2

TECHNICAL DATA SUBJECT TO CHANGE WITHOUT NOTICE. DIMENSIONS SHOWN ARE FOR REFERENCE ONLY. * DENOTES INACTIVE UNIT

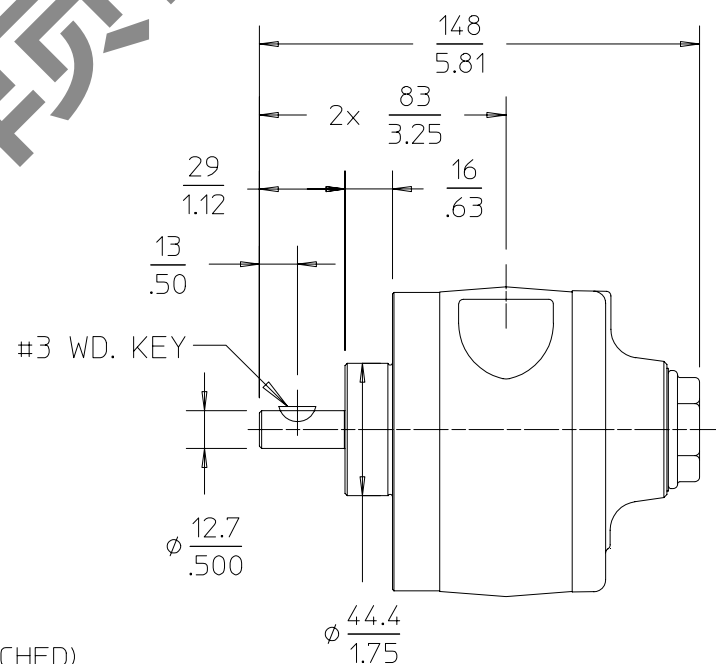
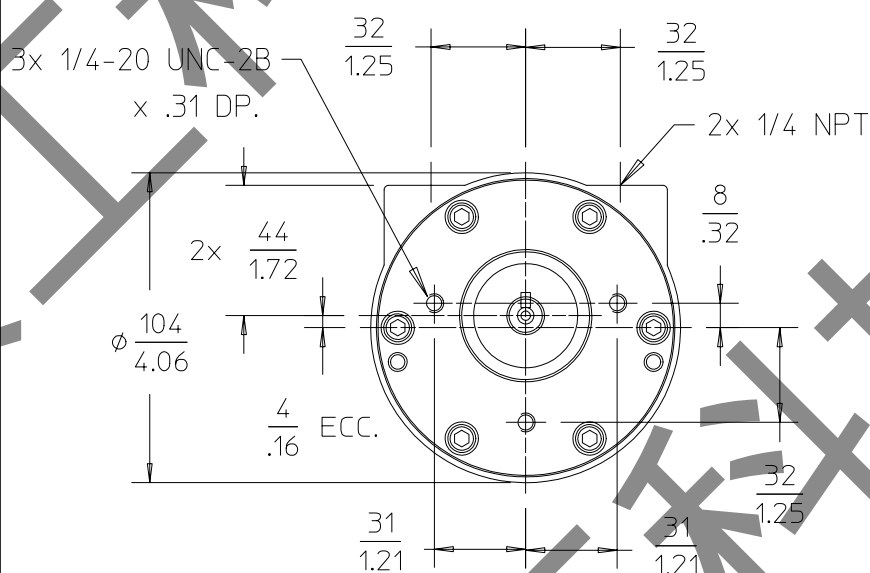
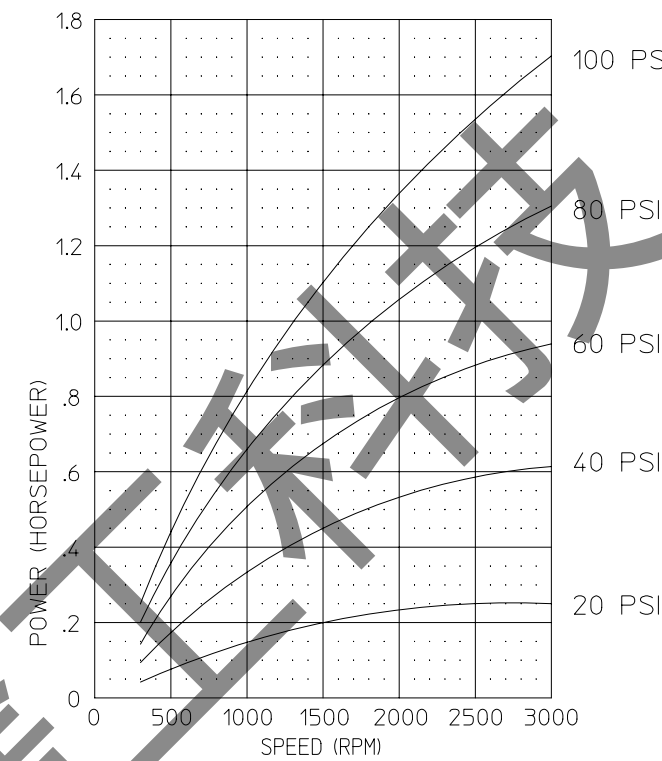
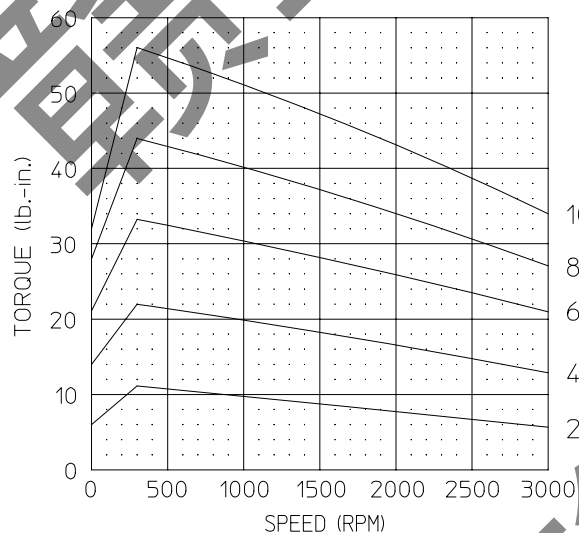
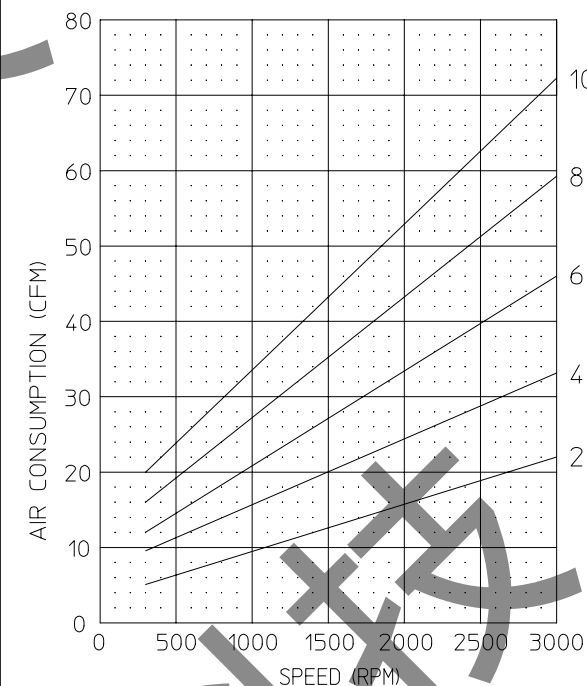
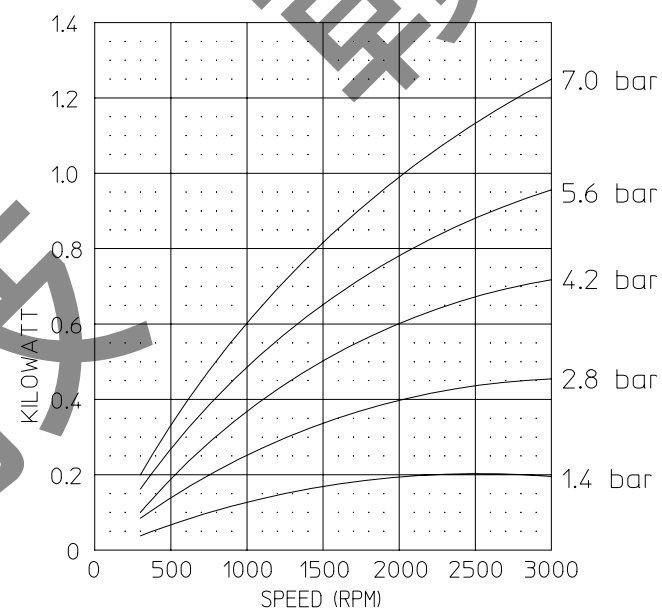
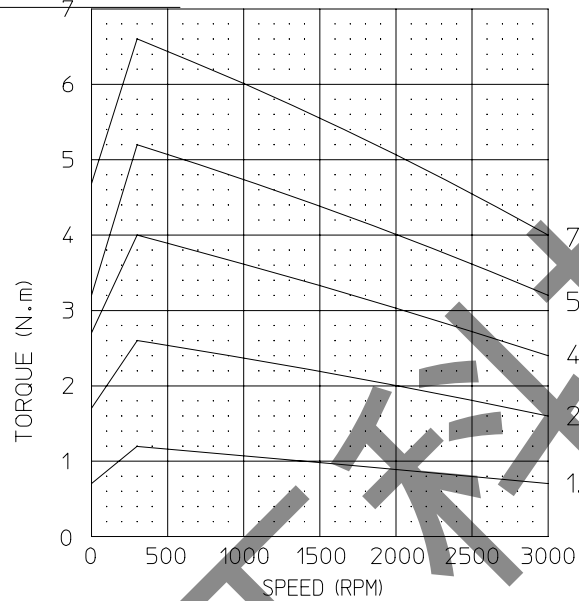
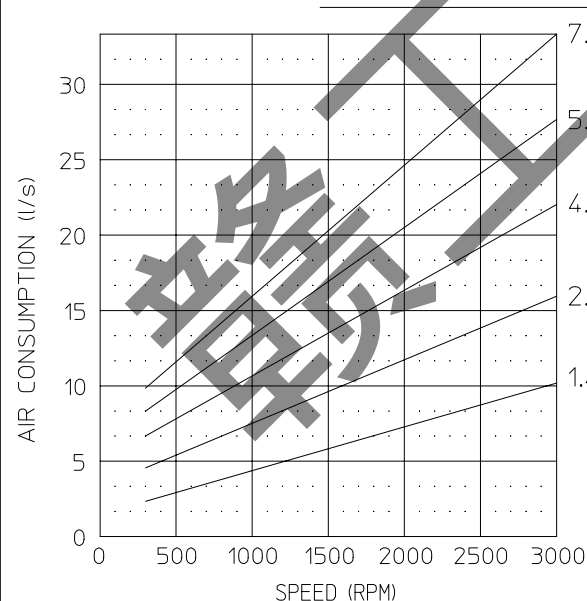
SOUND LEVEL 87 dB(A) MAX.

NORMAL AMBIENT +1°C. - 120°C.

RELATIVE HUMIDITY 0% - 100%

ENVIRONMENT HAZARDOUS AMBIENT COMBUSTIBLE GAS AND DUST +1° TO +40°C

CONFORMS TO EUROPEAN STANDARD EN13463-1
NON-ELECTRICAL EQUIPMENT FOR EXPLOSIVE ATMOSPHERES GROUP II CAT 2 (GAS & DUST),
PROTECTED BY CONSTRUCTION (SURFACE TEMP. RATED 135°C).



MUFFLER ASM. (SHIPPED UNATTACHED)
EXCEPT FOR 4AM-NRV-22A/4AM-NRV-22G/4AM-NRV-22H